



FRONT-DISCHARGE MIXERS | FD3000 Specifications



3-AXLE FRONT-DISCHARGE MIXER

Engine

Standard Cummins ISM, 350 hp

Main Frame

FD3000 6x6 Front-Discharge, Rear-Engine Mixer, on 135,000 psi rated Main Frame

Transmission

Allison RDS4500, 6-Speed Over Drive with Cushman 2-Speed Transfer Case

Axles

Front Axle: 23,000 lb. Meritor MX23 on 26,000 lb. 2-Stage Multi-Leafs. Optional Marmon/Herrington

Rear Axle: 46,000 lb. Meritor RT-46 on 46,000 lb. Hendrickson HN Horde or Optional Hendrickson PRIMAAAX Air Ride

Wheelbase

197 Inches

Tires & Wheels

(Front & Tandem) 445/65R22.5 G178 on Aluminum Disc Rims

Fuel Tank

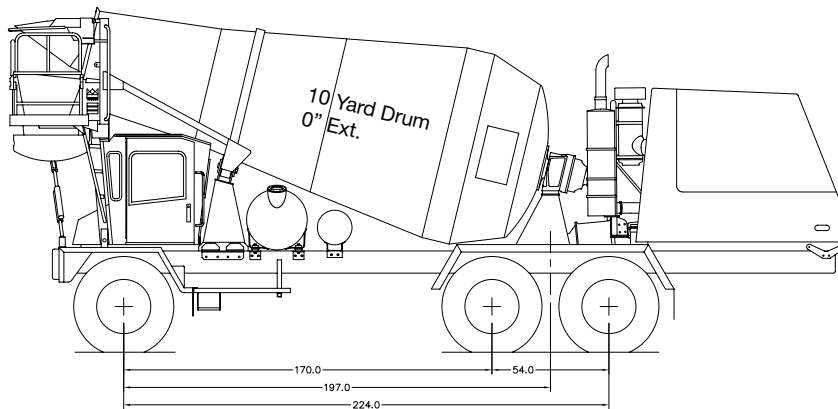
70 Gallon Steel or Aluminum (Curbside)

Water Tank Capacity

Choice (125-250 Gallon)

Mixer

10 cu. Yd. Terex AR230 Drum Standard. Options Available.



Special Features

Heated Water Tank Valve Assy. (optional)

Radar Backup Detection (CWS) (optional)

CAN Buss Gauge System

Wide Front Fender (optional)

Ring Shroud & High Efficiently Cooling System

New and Improved Chassis Air System

New Updated Hydraulic Systems & Filtration

Customer Choice of Drum Material Thickness (1/8", 3/16", 1/4")

Optional Joystick: "Terex Total Control" system (patent pending) provides the operator with proportional control of the Chute Up/Down, Chute Swing Right/Left, Drum Rotation charge/discharge. Drum stop/start button. Optional Hydraulic flip chutes can be folded/unfolded and Allison Gen 4 Truck Transmission can be activated forward, neutral and reverse, ALL WITH ONE HAND.

Effective Date: January 2010. Product specifications and prices are subject to change without notice or obligation. The photographs and/or drawings in this document are for illustrative purposes only. Refer to the appropriate Operator's Manual for instructions on the proper use of this equipment. Failure to follow the appropriate Operator's Manual when using our equipment or to otherwise act irresponsibly may result in serious injury or death. The only warranty applicable to our equipment is the standard written warranty applicable to the particular product and sale and Terex makes no other warranty, express or implied. Products and services listed may be trademarks, service marks, or trade names of Terex Corporation and/or its subsidiaries in the USA and other countries. All rights are reserved. Terex is a registered trademark of Terex Corporation in the USA and many other countries. Copyright 2010 Terex Corporation.